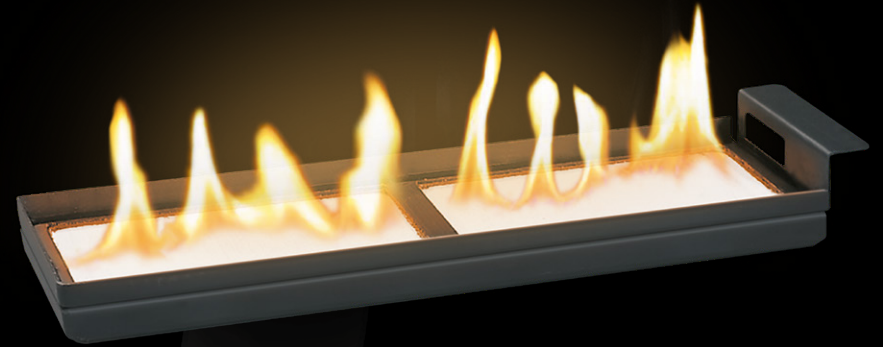


# SURFACE GAS BURNER



FIREPLACE WITH SURFACE GAS BURNER



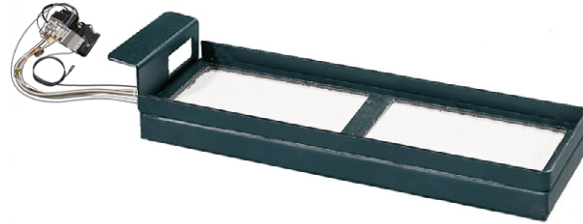
THE FLAME GAS APP

### 3. SURFACE GAS BURNER

## SURFACE GAS BURNER LONG FLAME BURNER - Natural gas/LPG



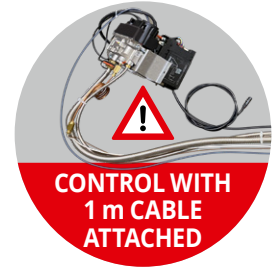
**SURFACE GAS BURNER-24/13**  
GAS CONNECTION BELOW/LATERALLY



**SURFACE GAS BURNER-36/13**  
GAS CONNECTION BELOW/LATERALLY



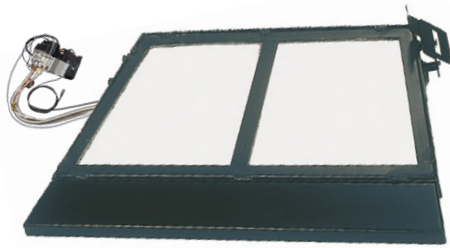
**SURFACE GAS BURNER-24/24**  
GAS CONNECTION BELOW/LATERALLY



| DESCRIPTION  | MODEL<br>FLAME LENGTH   | CONNECTION | DIMENSIONS  | NATURAL<br>GAS/LPG | POWER INPUT<br>(CONSUMPTION) | PRODUCT-<br>NUMBER | POSSIBLE<br>ACCESSORIES  |
|--|---|------------|---|--------------------|------------------------------|--------------------|--|
| <p><b>SURFACE GAS BURNER</b> - Long flame burner for natural gas and LPG, connection below/laterally of the burner</p> <p><b>Including:</b><br/>Surface gas burner incl. control with 1 m flexible cable and infrared remote control, vermiculite flakes</p> <p><b>Control and valve block are connected with a flexible cable (approx. 1 m). The installation is free selectable.</b></p> | <p><b>SURFACE GAS BURNER 24/13</b><br/>with<br/>flame approx. 20 cm</p> | below      | <p>Dimensions:<br/>approx.<br/>W 24,3 x<br/>H 7,5 x<br/>D 13,0 cm</p> | Natural gas        | 7,2 kW                       | GFB-24/13-EG-GU    | <p>decor stones lava broken (10 kg),<br/>decor stones Nero Marquina (10 kg),<br/>Superglow,<br/>power supply - control unit,<br/>smart relaisbox incl. interface,<br/>WIFI-control incl. modem and app,<br/>wall switch,<br/>emergency shutdown for gas appliances,<br/>control incl. receiver RW,<br/>gas socket (natural gas),<br/>small bottle regulator for gas bottle (LPG)</p> |
|  |   |            |   | LPG                | 7,2 kW                       | GFB-24/13-FG-GU    |  |
|  | <p><b>SURFACE GAS BURNER 36/13</b><br/>with<br/>flame approx. 30 cm</p> | below      | <p>Dimensions:<br/>approx.<br/>W 36,0 x<br/>H 7,5 x<br/>D 13,0 cm</p> | Natural gas        | 8,8 kW                       | GFB-36/13-EG-GU    |  |
|  |   |            |   | LPG                | 8,8 kW                       | GFB-36/13-FG-GU    |  |
|  |   | laterally  | <p>Dimensions:<br/>approx.<br/>W 36,0 x<br/>H 7,5 x<br/>D 13,0 cm</p> | Natural gas        | 8,8 kW                       | GFB-36/13-EG-GS    |  |
|  |   |            |   | LPG                | 8,8 kW                       | GFB-36/13-FG-GS    |  |
|  | <p><b>SURFACE GAS BURNER 24/24</b><br/>with<br/>flame approx. 20 cm</p> | below      | <p>Dimensions:<br/>approx.<br/>W 24,3 x<br/>H 7,5 x<br/>D 24,5 cm</p> | Natural gas        | 10,5 kW                      | GFB-24/24-EG-GU    |  |
|  |   |            |   | LPG                | 10,5 kW                      | GFB-24/24-FG-GU    |  |
|  |   | laterally  | <p>Dimensions:<br/>approx.<br/>W 24,3 x<br/>H 7,5 x<br/>D 24,5 cm</p> | Natural gas        | 10,5 kW                      | GFB-24/24-EG-GS    |  |
|  |   |            |   | LPG                | 10,5 kW                      | GFB-24/24-FG-GS    |  |

### 3. SURFACE GAS BURNER

## SURFACE GAS BURNER LONG FLAME BURNER - Natural gas/LPG



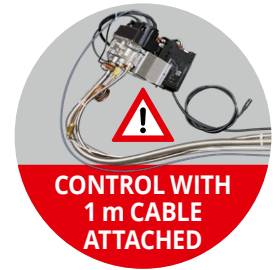
**SURFACE GAS BURNER-45/25**  
GAS CONNECTION Laterally



**SURFACE GAS BURNER-48/13**  
GAS CONNECTION Below/Laterally



**SURFACE GAS BURNER-60/13**  
GAS CONNECTION Below/Laterally



| DESCRIPTION  | MODEL FLAME LENGTH  | CONNECTION | DIMENSIONS  | NATURAL GAS/LPG                                       | POWER INPUT (CONSUMPTION) | PRODUCT-NUMBER  | POSSIBLE ACCESSORIES   |                 |
|--|---|------------|---|---|---------------------------|-----------------|--|-----------------|
| <p><b>SURFACE GAS BURNER</b> - Long flame burner for natural gas and LPG, connection below/laterally of the burner</p> <p><b>Including:</b><br/>Surface gas burner incl. control with 1 m flexible cable and infrared remote control, vermiculite flakes</p> <p><b>Control and valve block are connected with a flexible cable (approx. 1 m). The installation is free selectable.</b></p> | <p><b>SURFACE GAS BURNER 45/25</b><br/>with flame approx. 40 cm</p> | laterally  | <p>Dimensions: approx. W 46,0 H 9,0 x D 24,4 cm</p> | Natural gas   | 10,7 kW                   | GFB-45/25-EG-GS | <p>decor stones lava broken (10 kg), decor stones Nero Marquina (10 kg), Superglow, power supply - control unit, smart relaisbox incl. interface, WIFI-control incl. modem and app, wall switch, emergency shutdown for gas appliances, control incl. receiver RW, gas socket (natural gas), small bottle regulator for gas bottle (LPG)</p> |                 |
|  |   |            |   | LPG   | 10,7 kW                   | GFB-45/25-FG-GS |  |                 |
|  | <p><b>SURFACE GAS BURNER 48/13</b><br/>with flame approx. 45 cm</p> | below      |   | <p>Dimensions: approx. W 48,0 x H 7,5 x D 13,0 cm</p> | Natural gas               | 10,5 kW         |  | GFB-48/13-EG-GU |
|  |   |            |   | LPG   | 10,5 kW                   | GFB-48/13-FG-GU |  |                 |
|  |   | laterally  |   | <p>Dimensions: approx. W 48,0 x H 7,5 x D 13,0 cm</p> | Natural gas               | 10,5 kW         |  | GFB-48/13-EG-GS |
|  |   |            |   | LPG   | 10,5 kW                   | GFB-48/13-FG-GS |  |                 |
|  | <p><b>SURFACE GAS BURNER 60/13</b><br/>with flame approx. 55 cm</p> | below      |   | <p>Dimensions: approx. W 60,0 x H 7,5 x D 13,0 cm</p> | Natural gas               | 14,9 kW         |  | GFB-60/13-EG-GU |
|  |   |            |   | LPG   | 14,9 kW                   | GFB-60/13-FG-GU |  |                 |
|  |   | laterally  |   | <p>Dimensions: approx. W 60,0 x H 7,5 x D 13,0 cm</p> | Natural gas               | 14,9 kW         |  | GFB-60/13-EG-GS |
|  |   |            |   | LPG   | 14,9 kW                   | GFB-60/13-FG-GS |  |                 |



### 3. SURFACE GAS BURNER

## SURFACE GAS BURNER LONG FLAME BURNER - Natural gas/LPG



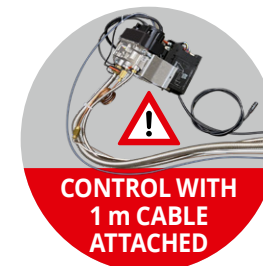
SURFACE GAS BURNER STEEL-36/13  
GAS CONNECTION BELOW

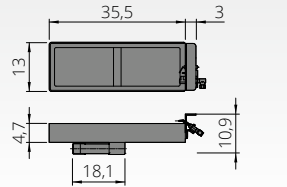
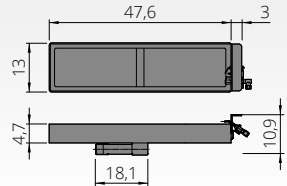
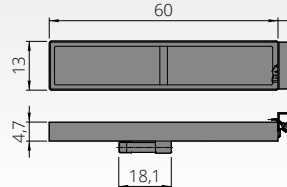


SURFACE GAS BURNER STEEL-48/13  
GAS CONNECTION BELOW



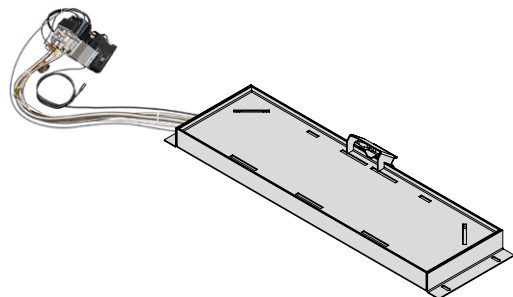
SURFACE GAS BURNER STEEL-60/13  
GAS CONNECTION BELOW



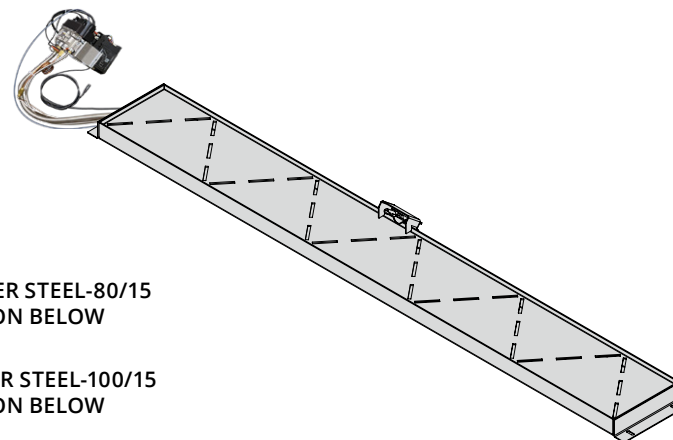
| DESCRIPTION  | MODEL<br>FLAME LENGTH   | DIMENSIONS   | NATURAL<br>GAS/LPG | POWER INPUT<br>(CONSUMPTION) | PRODUCT-<br>NUMBER    | POSSIBLE<br>ACCESSORIES  |
|--|---|--|--------------------|------------------------------|-----------------------|--|
| <p><b>SURFACE GAS BURNER</b> - Long flame burner for natural gas and LPG, connection below the burner</p> <p><b>Including:</b><br/>Surface gas burner incl. control with 1 m flexible cable and infra-red remote control, vermiculite flakes</p> <p><b>Control and valve block are connected with a flexible cable (approx. 1 m). The installation is free selectable.</b></p> | <p><b>SURFACE GAS BURNER STEEL 36/13</b><br/>with<br/>flame<br/>approx. 30 cm</p> | <p>Dimensions: approx. W 35,5 x H 10,9 x D 13,0 cm</p>    | Natural gas        | 8,6 kW                       | GFB-STEEL-36/13-EG-GU | <p>decor stones lava broken (10 kg), decor stones Nero Marquina (10 kg), Superglow, power supply - control unit, smart relaisbox incl. interface, WIFI-control incl. modem and app, wall switch, emergency shutdown for gas appliances, control incl. receiver RW, gas socket (natural gas), small bottle regulator for gas bottle (LPG)</p> |
|  |   |  | LPG                | 8,6 kW                       | GFB-STEEL-36/13-FG-GU |  |
|  | <p><b>SURFACE GAS BURNER 48/13</b><br/>with<br/>flame<br/>approx. 40 cm</p>       | <p>Dimensions: approx. W 47,6 x H 10,9 x D 13,0 cm</p>  | Natural gas        | 10,5 kW                      | GFB-STEEL-48/13-EG-GU |  |
|  |   |  | LPG                | 10,5 kW                      | GFB-STEEL-48/13-FG-GU |  |
|  | <p><b>SURFACE GAS BURNER 60/13</b><br/>with<br/>flame<br/>approx. 50 cm</p>       | <p>Dimensions: approx. W 60 x H 10,9 x D 13,0 cm</p>    | Natural gas        | 14,9 kW                      | GFB-STEEL-60/13-EG-GU |  |
|  |   |  | LPG                | 14,9 kW                      | GFB-STEEL-60/13-FG-GU |  |

### 3. SURFACE GAS BURNER

## SURFACE GAS BURNER STEEL SHORT FLAME BURNER- Natural gas/LPG

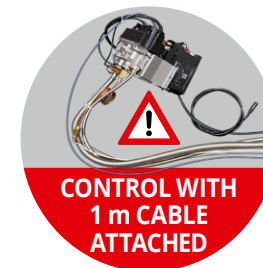


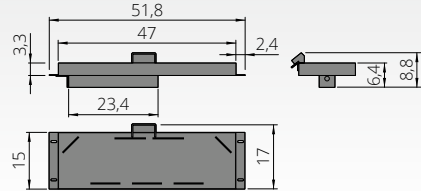
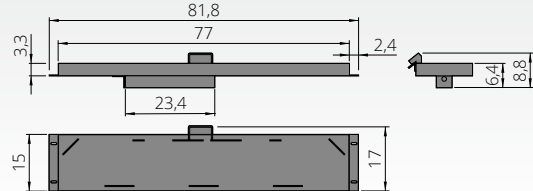
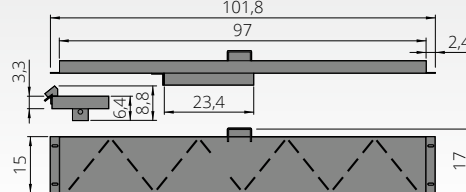
SURFACE GAS BURNER STEEL-50/15  
GAS CONNECTION BELOW



SURFACE GAS BURNER STEEL-80/15  
GAS CONNECTION BELOW

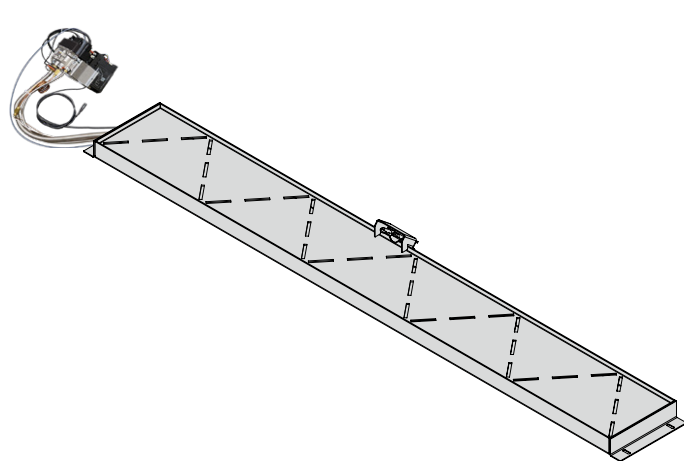
SURFACE GAS BURNER STEEL-100/15  
GAS CONNECTION BELOW



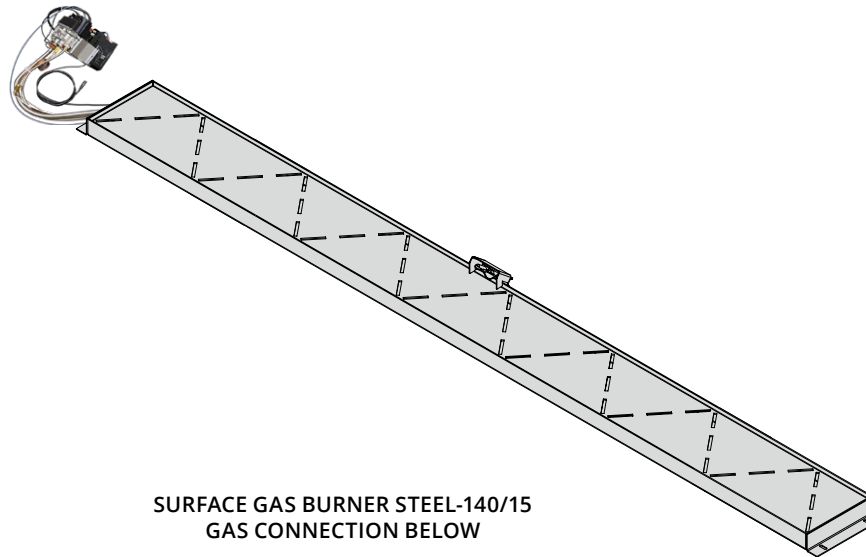
| DESCRIPTION  | MODEL<br>FLAME LENGTH  | DIMENSIONS  | NATURAL<br>GAS/LPG | POWER INPUT<br>(CONSUMPTION) | PRODUCT-<br>NUMBER     | POSSIBLE<br>ACCESSORIES  |
|--|--|---|--------------------|------------------------------|------------------------|--|
| <p><b>SURFACE GAS BURNER</b> - Short flame burner made of steel for natural gas and LPG, connection below the burner</p> <p><b>Including:</b><br/>Surface gas burner incl. control with 1 m flexible cable and infrared remote control</p> <p><b>Control and valve block are connected with a flexible cable (approx. 1 m). The installation is free selectable.</b></p> | <p><b>SURFACE GAS BURNER STEEL 50/15</b><br/>with flame approx. 40 cm</p>  | <p>Dimensions: approx. W 51,8 x H 8,8 x D 17,0 cm</p>     | Natural gas        | 12,3 kW                      | GFB-STEEL-50/15-EG-GU  | <p>decor stones lava broken (10 kg), decor stones Nero Marquina (10 kg), Superglow, power supply - control unit, smart relaisbox incl. interface, WIFI-control incl. modem and app, wall switch, emergency shutdown for gas appliances, control incl. receiver RW, gas socket (natural gas), small bottle regulator for gas bottle (LPG)</p> |
|  |  |   | LPG                | 11,0 kW                      | GFB-STEEL-50/15-FG-GU  |  |
|  | <p><b>SURFACE GAS BURNER STEEL 80/15</b><br/>with flame approx. 70 cm</p>  | <p>Dimensions: approx. W 81,8 x H 8,8 x D 17,0 cm</p>   | Natural gas        | 17,7 kW                      | GFB-STEEL-80/15-EG-GU  |  |
|  |  |   | LPG                | 13,0 kW                      | GFB-STEEL-80/15-FG-GU  |  |
|  | <p><b>SURFACE GAS BURNER STEEL 100/15</b><br/>with flame approx. 90 cm</p> | <p>Dimensions: approx. W 101,8 x H 8,8 x D 17,0 cm</p>  | Natural gas        | 17,7 kW                      | GFB-STEEL-100/15-EG-GU |  |
|  |  |   | LPG                | 13,5 kW                      | GFB-STEEL-100/15-FG-GU |  |

### 3. SURFACE GAS BURNER

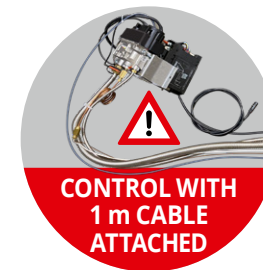
## SURFACE GAS BURNER STEEL SHORT FLAME BURNER - Natural gas/LPG

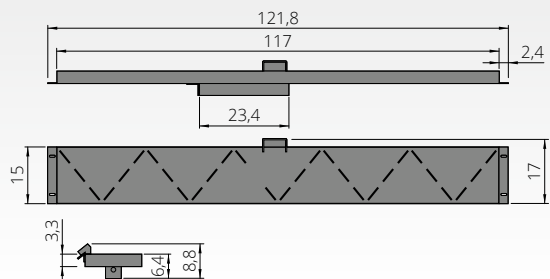
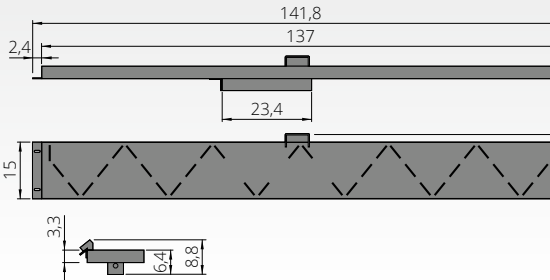


SURFACE GAS BURNER STEEL-120/15  
GAS CONNECTION BELOW



SURFACE GAS BURNER STEEL-140/15  
GAS CONNECTION BELOW



| DESCRIPTION  | MODEL<br>FLAME LENGTH   | DIMENSIONS   | NATURAL<br>GAS/LPG  | POWER INPUT<br>(CONSUMPTION)  | PRODUCT-<br>NUMBER     | POSSIBLE<br>ACCESSORIES  |         |
|--|---|--|---|---|------------------------|--|---------|
| <p><b>SURFACE GAS BURNER</b> - Short flame burner made of steel for natural gas and LPG, connection below the burner</p> <p><b>Including:</b><br/>Surface gas burner incl. control with 1 m flexible cable and infrared remote control</p> <p><b>Control and valve block are connected with a flexible cable (approx. 1 m). The installation is free selectable.</b></p> | <p><b>SURFACE GAS BURNER STEEL 120/15</b><br/>with flame<br/>approx. 110 cm</p> | <p>Dimensions: approx. W 121,8 x H 8,8 x D 17,0 cm</p>  | Natural gas   | 24,1 kW   | GFB-STEEL-120/15-EG-GU | <p>decor stones lava broken (10 kg),<br/>decor stones Nero Marquina (10 kg),<br/>Superglow,<br/>power supply - control unit,<br/>smart relaisbox incl. interface,<br/>WIFI-control incl. modem and app,<br/>wall switch,<br/>emergency shutdown for gas appliances,<br/>control incl. receiver RW, gas socket (natural gas),<br/>small bottle regulator for gas bottle (LPG)</p> |         |
|  |   | <p>LPG</p> <p>15,5 kW</p> <p>GFB-STEEL-120/15-FG-GU</p>  | <p><b>SURFACE GAS BURNER STEEL 140/15</b><br/>with flame<br/>approx. 130 cm</p> | <p>Dimensions: approx. W 141,8 x H 8,8 x D 17,0 cm</p>  | Natural gas            |  | 25,4 kW |
|  | <p>LPG</p> <p>17,8 kW</p> <p>GFB-STEEL-140/15-FG-GU</p>                         |  |   |   |                        |  |         |