

GAS FIREPLACE INSERTS 3 SIDES VISIBLE - C SHAPE



GAS FIREPLACE INSERT 3 SIDES VISIBLE - C SHAPE 140/38/33



GAS FIREPLACE INSERT 3 SIDES VISIBLE - C SHAPE 63/45/36



GAS FIREPLACE INSERT
3 SIDES VISIBLE - C SHAPE 100/38/33

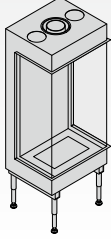
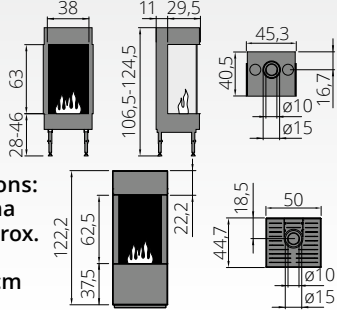
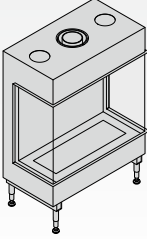
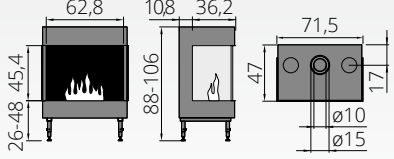
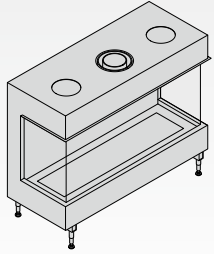
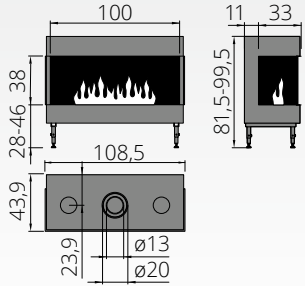


GAS FIREPLACE
INSERT
3 SIDES
VISIBLE
C SHAPE
38/63/30

5. CLOSED GAS FIREPLACE INSERTS - 3 SIDES VISIBLE - C SHAPE

CLOSED GAS FIREPLACE INSERTS - 3 SIDES VISIBLE - C SHAPE - Natural gas/LPG

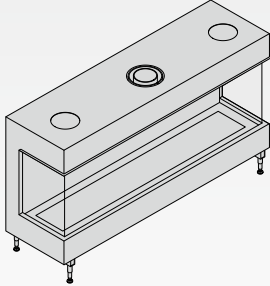
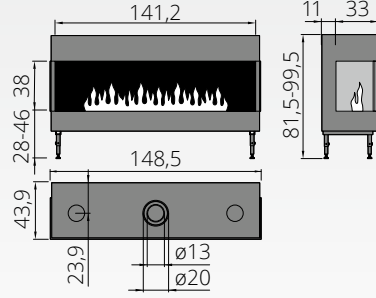
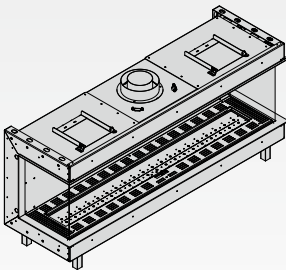
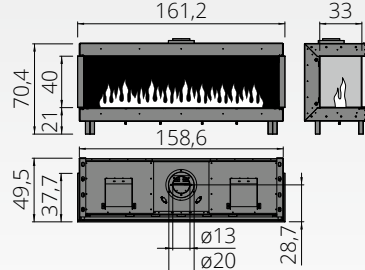


DESCRIPTION	MODEL AIR EXHAUST SYSTEM	DIMENSIONS/WEIGHT	NATURAL GAS/LPG OPTIONAL	PRODUCT- NUMBER	POSSIBLE ACCESSORIES
<p>BIT-TC-38/63/30-3S-G Viewing window approx. W 73 x H 38 x D 30 cm, 3 sides visible -closed C -shape, Air-exhaust system (exhaust ø100 mm, combustion air ø150 mm)</p> <p>Power: Natural gas: input (consumption): 7,1 kW, output (power): 5,0 kW, LPG: input (consumption): 6,7 kW, output (power): 4,7 kW</p> <p>Including: Gas fireplace insert incl. lamellas, decor wood and remote control.</p> <p>Optional: Cool Down with gravity support, anti-reflective glazing, glass back panel - black</p>	<p>BIT-TC-38/63/30-3S-G with AIR EXHAUST SYSTEM: ø100/150 mm</p> 	<p>Dimensions: approx. W 45,3 x H 106,5-124,5 x D 40,5 cm, Weight: approx. 85 kg</p>  <p>Dimensions: Panorama Free: approx. W 50 x H 122,2 cm</p>	<p>BIT-GAS viewing window approx. 73 x 38 x 30 cm</p>	<p>BIT-TC-38/63/30-3S-G</p>	<p>decor stones lava broken (10 kg), decor stones Nero Marquina (10 kg), Superglow, power supply - control unit, smart relaisbox incl. interface, WIFI-control incl. modem and app, wall switch, emergency shutdown for gas appliances, gas socket (natural gas), small bottle regulator for gas bottle (LPG)</p>
			<p>PANORAMA FREE viewing window approx. 73 x 38 x 30 cm</p>	<p>PANORAMA-FREE-38/63/30</p>	
			<p>Cool Down with gravity support</p>	<p>BIT-TC-38/63/30-3S-G-CODO</p>	
			<p>anti-reflective glazing</p>	<p>BIT-TC-38/63/30-3S-G-EV</p>	
<p>BIT-TC-63/45/36-3S-G Viewing window approx. W 63 x H 45 x D 36 cm, 3 sides visible - closed C shape, Air-exhaust system (exhaust ø100 mm, combustion air ø150 mm)</p> <p>Power: Natural gas: input (consumption): 9,3 kW, output (power): 6,5 kW, LPG: input (consumption): 8,8 kW, output (power): 6,2 kW</p> <p>Including: Gas fireplace insert incl. lamellas, decor wood and remote control.</p> <p>Optional: Cool Down with gravity support, anti-reflective glazing, glass back panel - black</p>	<p>BIT-TC-63/45/36-3S-G with AIR EXHAUST SYSTEM: ø100/150 mm</p> 	<p>Dimensions: approx. W 71,5 x H 88-106 x D 47 cm Weight: approx. 105 kg</p> 	<p>GAP-GAS viewing window approx. 63 x 45 x 36 cm</p>	<p>BIT-TC-63/45/36-3S-G</p>	
			<p>Cool Down with gravity support</p>	<p>BIT-TC-63/45/36-3S-G-CODO</p>	
			<p>anti-reflective glazing</p>	<p>BIT-TC-63/45/36-3S-G-EV</p>	
			<p>glass back panel</p>	<p>BIT-TC-63/45/36-3S-G-GR</p>	
<p>GAP-TC-100/38/33-3S-G Viewing window approx. W 100 x H 38 x D 33 cm, 3 sides visible - closed C shape, Air-exhaust system (exhaust ø130 mm, combustion air ø200 mm)</p> <p>Power: Natural gas: input (consumption): 11,5 kW, output (power): 7,7 kW, LPG: input (consumption): 9,9 kW, output (power): 7,4 kW</p> <p>Including: Gas fireplace insert incl. lamellas, decor wood and remote control.</p> <p>Optional: Cool Down with gravity support, anti-reflective glazing, glass back panel - black</p>	<p>GAP-TC-100/38/33-3S-G with AIR EXHAUST SYSTEM: ø130/200 mm</p> 	<p>Dimensions: approx. W 108,5 x H 81,5-99,5 x D 43,9 cm Weight: approx. 106 kg</p> 	<p>GAP-GAS viewing window approx. 100 x 38 x 33 cm</p>	<p>GAP-TC-100/38/33-3S-G</p>	
			<p>Cool Down with gravity support</p>	<p>GAP-TC-100/38/33-3S-G-CODO</p>	
			<p>anti-reflective glazing</p>	<p>GAP-TC-100/38/33-3S-G-EV</p>	
			<p>glass back panel</p>	<p>GAP-TC-100/38/33-3S-G-GR</p>	

5. CLOSED GAS FIREPLACE INSERTS - 3 SIDES VISIBLE - C SHAPE

CLOSED GAS FIREPLACE INSERTS - 3 SIDES VISIBLE - C SHAPE - Natural gas/LPG

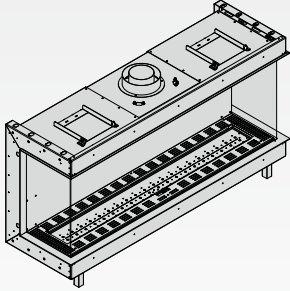
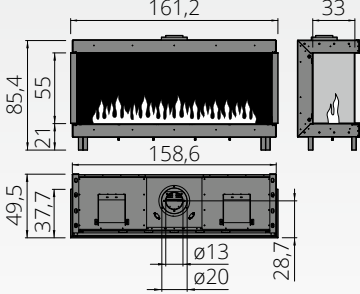
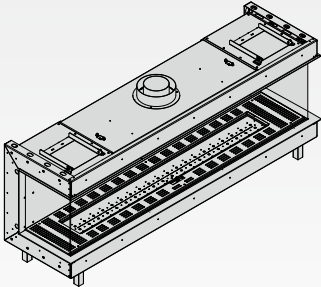
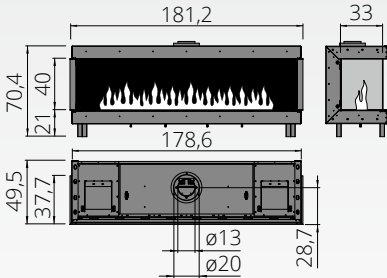


DESCRIPTION	MODEL AIR EXHAUST SYSTEM	DIMENSIONS/WEIGHT	NATURAL GAS/LPG OPTIONAL	PRODUCT- NUMBER	POSSIBLE ACCESSORIES
<p>GAP-TC-140/38/33-3S-G Viewing window approx. W 140 x H 38 x D 33 cm, 3 sides visible - closed C shape, Air-exhaust system (exhaust \varnothing100 mm, combustion air \varnothing150 mm)</p> <p>Power: Natural gas: input (consumption): 7,1 kW, output (power): 5,0 kW, LPG: input (consumption): 6,7 kW, output (power): 4,7 kW</p> <p>Including: Gas fireplace insert incl. lamellas, decor wood and remote control.</p> <p>Optional: Cool Down with gravity support, anti-reflective glazing, glass back panel - black</p>	<p>GAP-TC-140/38/33-3S-G with AIR EXHAUST SYSTEM: \varnothing130/200 mm</p> 	<p>Dimensions: approx. W 148,5 x H 81,5-99,5 x D 43,9 cm Weight: approx. 120 kg</p> 	GAP-GAS viewing window approx. 140 x 38 x 33 cm	GAP-TC-140/38/33-3S-G	<p>decor stones lava broken (10 kg), decor stones Nero Marquina (10 kg), Superglow, power supply - control unit, smart relaisbox incl. interface, WIFI-control incl. modem and app, wall switch, emergency shutdown for gas appliances, gas socket (natural gas), small bottle regulator for gas bottle (LPG)</p>
			Cool Down with gravity support	GAP-TC-140/38/33-3S-G-CODO	
			anti-reflective glazing	GAP-TC-140/38/33-3S-G-EV	
			glass back panel	GAP-TC-140/38/33-3S-G-GR	
<p>GAP-OT-150/40/37-3S-G Viewing window approx. W 150 x H 40 x D 37 cm, 3 sides visible - closed C shape, length of the burner: approx. 135 cm Air-exhaust system (exhaust \varnothing130 mm, combustion air \varnothing200 mm)</p> <p>Power: Natural gas: input (consumption): 10,5 kW, output (power): 9,5 kW, LPG: input (consumption): 11,9 kW, output (power): 7,8 kW</p> <p>Including: Gas fireplace insert incl. decor wood and remote control.</p> <p>Optional: 1 burner line of 2 can be switched off, ventilated double glazing, Cool Down with gravity support, anti-reflective glazing, glass back panel - black, fan-assisted air recirculation, Fan-Flex-Flue</p>	<p>GAP-OT-150/40/37-3S-G with AIR EXHAUST SYSTEM: \varnothing130/200 mm</p> 	<p>Dimensions: approx. W 161,2 x H 70,4 x D 49,5 cm Weight: approx. 175 kg</p> 	GAP-GAS viewing window approx. 150 x 40 x 37 cm	GAP-OT-150/40/37-3S-G	
			1 burner line of 2 can be switched off	GAP-OT-150/40/37-3S-G-BA	
			ventilated double glazing	GAP-OT-150/40/37-3S-G-HD	
			Cool Down with gravity support	GAP-OT-150/40/37-3S-G-CODO	
			anti-reflective glazing	GAP-OT-150/40/37-3S-G-EV	
			glass back panel	GAP-OT-150/40/37-3S-G-GR	
			fan-assisted air recirculation	GAP-OT-150/40/37-3S-G-VA	
Fan-Flex-Flue	GAP-OT-150/40/37-3S-G-FFFSET				

5. CLOSED GAS FIREPLACE INSERTS - 3 SIDES VISIBLE - C SHAPE

CLOSED GAS FIREPLACE INSERTS - 3 SIDES VISIBLE - C SHAPE - Natural gas/LPG

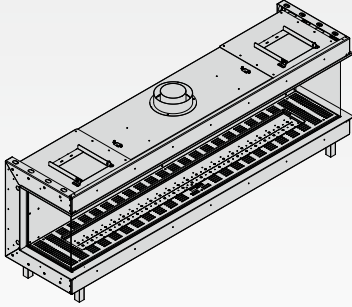
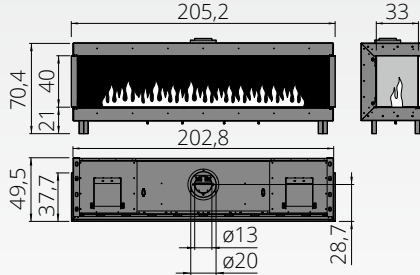
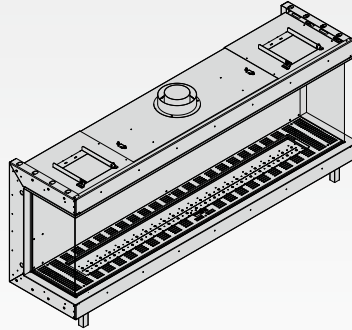
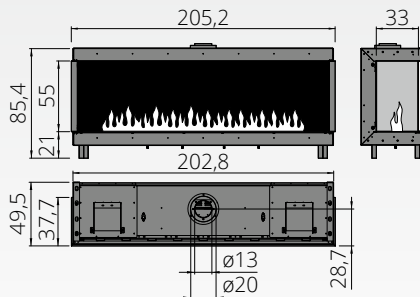


DESCRIPTION	MODEL AIR EXHAUST SYSTEM	DIMENSIONS/WEIGHT	NATURAL GAS/LPG OPTIONAL	PRODUCT- NUMBER	POSSIBLE ACCESSORIES
<p>GAP-OT-H-150/55/37-3S-G Viewing window approx. W 150 x H 55 x D 37 cm, 3 sides visible - closed C shape, length of the burner: approx. 135 cm Air-exhaust system (exhaust ø130 mm, combustion air ø200 mm)</p> <p>Power: Natural gas: input (consumption): 10,5 kW, output (power): 9,5 kW, LPG: input (consumption): 11,9 kW, output (power): 7,8 kW</p> <p>Including: Gas fireplace insert incl. decor wood and remote control.</p> <p>Optional: 1 burner line of 2 can be switched off, ventilated double glazing, Cool Down with gravity support, anti-reflective glazing, glass back panel - black, fan-assisted air recirculation, Fan-Flex-Flue</p>	<p>GAP-OT-H-150/55/37-3S-G with AIR EXHAUST SYSTEM: ø130/200 mm</p> 	<p>Dimensions: approx. W 161,2 x H 85,4 x D 49,5 cm Weight: approx. 175 kg</p> 	GAP-GAS viewing window approx. 150 x 55 x 37 cm	GAP-OT-H-150/55/37-3S-G	<p>decor stones lava broken (10 kg), decor stones Nero Marquina (10 kg), Superglow, power supply - control unit, smart relaisbox incl. interface, WIFI-control incl. modem and app, wall switch, emergency shutdown for gas appliances, gas socket (natural gas), small bottle regulator for gas bottle (LPG)</p>
			1 burner line of 2 can be switched off	GAP-OT-H-150/55/37-3S-G-BA	
			ventilated double glazing	GAP-OT-H-150/55/37-3S-G-HD	
			Cool Down with gravity support	GAP-OT-H-150/55/37-3S-G-CODO	
			anti-reflective glazing	GAP-OT-H-150/55/37-3S-G-EV	
			glass back panel	GAP-OT-H-150/55/37-3S-G-GR	
			fan-assisted air recirculation	GAP-OT-H-150/55/37-3S-G-VA	
			Fan-Flex-Flue	GAP-OT-H-150/55/37-3S-G-FFFSET	
<p>GAP-OT-170/40/37-3S-G Viewing window approx. W 170 x H 40 x D 37 cm, 3 sides visible - closed C shape, length of the burner: approx. 135 cm Air-exhaust system (exhaust ø130 mm, combustion air ø200 mm)</p> <p>Power: Natural gas: input (consumption): 10,5 kW, output (power): 9,5 kW, LPG: input (consumption): 11,9 kW, output (power): 7,8 kW</p> <p>Including: Gas fireplace insert incl. decor wood and remote control.</p> <p>Optional: 1 burner line of 2 can be switched off, ventilated double glazing, Cool Down with gravity support, anti-reflective glazing, glass back panel - black, fan-assisted air recirculation, Fan-Flex-Flue</p>	<p>GAP-OT-170/40/37-3S-G with AIR EXHAUST SYSTEM: ø130/200 mm</p> 	<p>Dimensions: approx. W 181,2 x H 70,4 x D 49,5 cm Weight: approx. 185 kg</p> 	GAP-GAS viewing window approx. 170 x 40 x 37 cm	GAP-OT-170/40/37-3S-G	
			1 burner line of 2 can be switched off	GAP-OT-170/40/37-3S-G-BA	
			ventilated double glazing	GAP-OT-170/40/37-3S-G-HD	
			Cool Down with gravity support	GAP-OT-170/40/37-3S-G-CODO	
			anti-reflective glazing	GAP-OT-170/40/37-3S-G-EV	
			glass back panel	GAP-OT-170/40/37-3S-G-GR	
			fan-assisted air recirculation	GAP-OT-170/40/37-3S-G-VA	
			Fan-Flex-Flue	GAP-OT-170/40/37-3S-G-FFFSET	

5. CLOSED GAS FIREPLACE INSERTS - 3 SIDES VISIBLE - C SHAPE

CLOSED GAS FIREPLACE INSERTS - 3 SIDES VISIBLE - C SHAPE - Natural gas/LPG

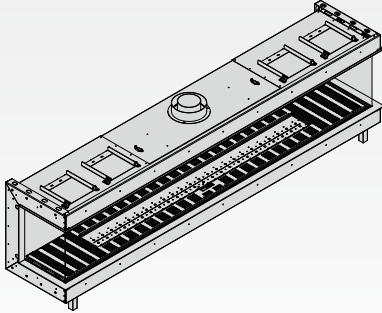
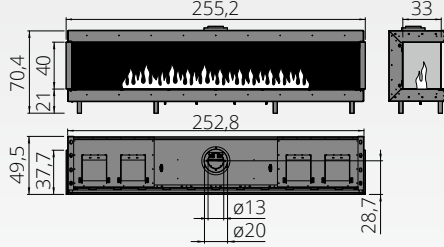


DESCRIPTION	MODEL AIR EXHAUST SYSTEM	DIMENSIONS/WEIGHT	NATURAL GAS/LPG OPTIONAL	PRODUCT- NUMBER	POSSIBLE ACCESSORIES
<p>GAP-OT-200/40/37-3S-G Viewing window approx. W 200 x H 40 x D 37 cm, 3 sides visible - closed C shape, length of the burner: approx. 160 cm Air-exhaust system (exhaust ø130 mm, combustion air ø200 mm)</p> <p>Power: Natural gas: input (consumption): 13,0 kW, output (power): 10,7 kW, LPG: input (consumption): 13,0 kW, output (power): 9,3 kW</p> <p>Including: Gas fireplace insert incl. decor wood and remote control.</p> <p>Optional: 1 burner line of 2 can be switched off, ventilated double glazing, Cool Down with gravity support, anti-reflective glazing, glass back panel - black, fan-assisted air recirculation, Fan-Flex-Flue</p>	<p>GAP-OT-200/40/37-3S-G with AIR EXHAUST SYSTEM: ø130/200 mm</p> 	<p>Dimensions: approx. W 205,2 x H 70,4 x D 49,5 cm Weight: approx. 225 kg</p> 	GAP-GAS viewing window approx. 200 x 40 x 37 cm	GAP-OT-200/40/37-3S-G	<p>decor stones lava broken (10 kg), decor stones Nero Marquina (10 kg), Superglow, power supply - control unit, smart relaisbox incl. interface, WIFI-control incl. modem and app, wall switch, emergency shutdown for gas appliances, gas socket (natural gas), small bottle regulator for gas bottle (LPG)</p>
			1 burner line of 2 can be switched off	GAP-OT-200/40/37-3S-G-BA	
			ventilated double glazing	GAP-OT-200/40/37-3S-G-HD	
			Cool Down with gravity support	GAP-OT-200/40/37-3S-G-CODO	
			anti-reflective glazing	GAP-OT-200/40/37-3S-G-EV	
			glass back panel	GAP-OT-200/40/37-3S-G-GR	
			fan-assisted air recirculation	GAP-OT-200/40/37-3S-G-VA	
Fan-Flex-Flue	GAP-OT-200/40/37-3S-G-FFFSET				
<p>GAP-OT-H-200/55/37-3S-G Viewing window approx. W 200 x H 55 x D 37 cm, 3 sides visible - closed C shape, length of the burner: approx. 160 cm Air-exhaust system (exhaust ø130 mm, combustion air ø200 mm)</p> <p>Power: Natural gas: input (consumption): 13,0 kW, output (power): 10,7 kW, LPG: input (consumption): 13,0 kW, output (power): 9,3 kW</p> <p>Including: Gas fireplace insert incl. decor wood and remote control.</p> <p>Optional: 1 burner line of 2 can be switched off, ventilated double glazing, Cool Down with gravity support, anti-reflective glazing, glass back panel - black, fan-assisted air recirculation, Fan-Flex-Flue</p>	<p>GAP-OT-H-200/55/37-3S-G with AIR EXHAUST SYSTEM: ø130/200 mm</p> 	<p>Dimensions: approx. W 205,2 x H 85,4 x D 49,5 cm Weight: approx. 225 kg</p> 	GAP-GAS viewing window approx. 200 x 55 x 37 cm	GAP-OT-H-200/55/37-3S-G	
			1 burner line of 2 can be switched off	GAP-OT-H-200/55/37-3S-G-BA	
			ventilated double glazing	GAP-OT-H-200/55/37-3S-G-HD	
			Cool Down with gravity support	GAP-OT-H-200/55/37-3S-G-CODO	
			anti-reflective glazing	GAP-OT-H-200/55/37-3S-G-EV	
			glass back panel	GAP-OT-H-200/55/37-3S-G-GR	
			fan-assisted air recirculation	GAP-OT-H-200/55/37-3S-G-VA	
Fan-Flex-Flue	GAP-OT-H-200/55/37-3S-G-FFFSET				

5. CLOSED GAS FIREPLACE INSERTS - 3 SIDES VISIBLE - C SHAPE

CLOSED GAS FIREPLACE INSERTS - 3 SIDES VISIBLE - C SHAPE - Natural gas/LPG



DESCRIPTION	MODEL AIR EXHAUST SYSTEM	DIMENSIONS/WEIGHT	NATURAL GAS/LPG OPTIONAL	PRODUCT- NUMBER	POSSIBLE ACCESSORIES
<p>GAP-OT-H-250/40/37-3S-G Viewing window approx. W 250 x H 55 x D 37 cm, 3 sides visible - closed C shape, length of the burner: approx. 160 cm Air-exhaust system (exhaust ø130 mm, combustion air ø200 mm)</p> <p>Power: Natural gas: input (consumption): 13,0 kW, output (power): 10,6 kW, LPG: input (consumption): 13,0 kW, output (power): 9,3 kW</p> <p>Including: Gas fireplace insert incl. decor wood and remote control.</p> <p>Optional: 1 burner line of 2 can be switched off, ventilated double glazing, Cool Down with gravity support, anti-reflective glazing, glass back panel - black, fan-assisted air recirculation, Fan-Flex-Flue</p>	<p>GAP-OT-250/40/37-3S-G with AIR EXHAUST SYSTEM: ø130/200 mm</p> 	<p>Dimensions: approx. W 255,2 x H 70,4 x D 49,5 cm</p> 	<p>GAP-GAS viewing window approx. 250 x 40 x 37 cm</p>	GAP-OT-250/40/37-3S-G	<p>decor stones lava broken (10 kg), decor stones Nero Marquina (10 kg), Superglow, power supply - control unit, smart relaisbox incl. interface, WIFI-control incl. modem and app, wall switch, emergency shutdown for gas appliances, gas socket (natural gas), small bottle regulator for gas bottle (LPG)</p>
			<p>ventilated double glazing</p>	GAP-OT-250/40/37-3S-G-HD	
			<p>Cool Down with gravity support</p>	GAP-OT-250/40/37-3S-G-CODO	
			<p>glass back panel</p>	GAP-OT-250/40/37-3S-G-GR	
			<p>fan-assisted air recirculation</p>	GAP-OT-250/40/37-3S-G-VA	
			<p>Fan-Flex-Flue</p>	GAP-OT-250/40/37-3S-G-FFFSET	